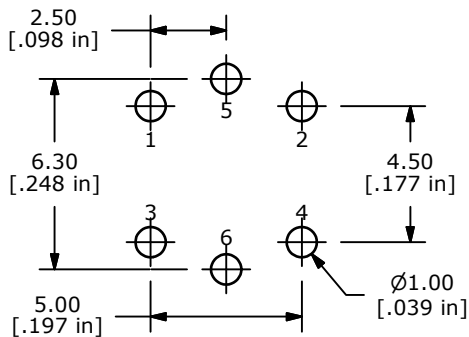
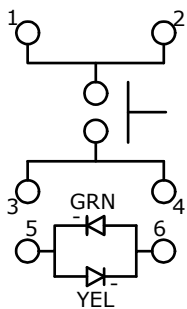


▲ LED SPECS	UNITS	GREEN	YELLOW
FORWARD CURRENT	mA	20	20
FORWARD VOLTAGE	V	2.0 TYP. - 2.5 MAX	2.0 TYP. - 2.5 MAX
LUMINOUS INTENSITY	mcd	120 TYP.	200 TYP.



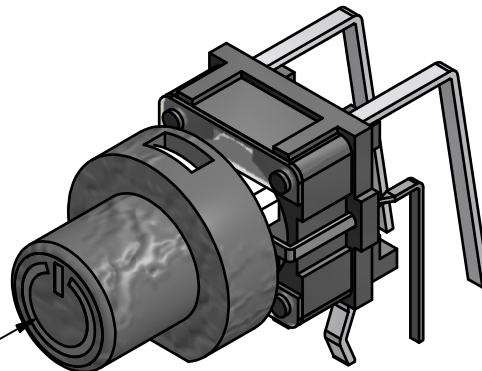
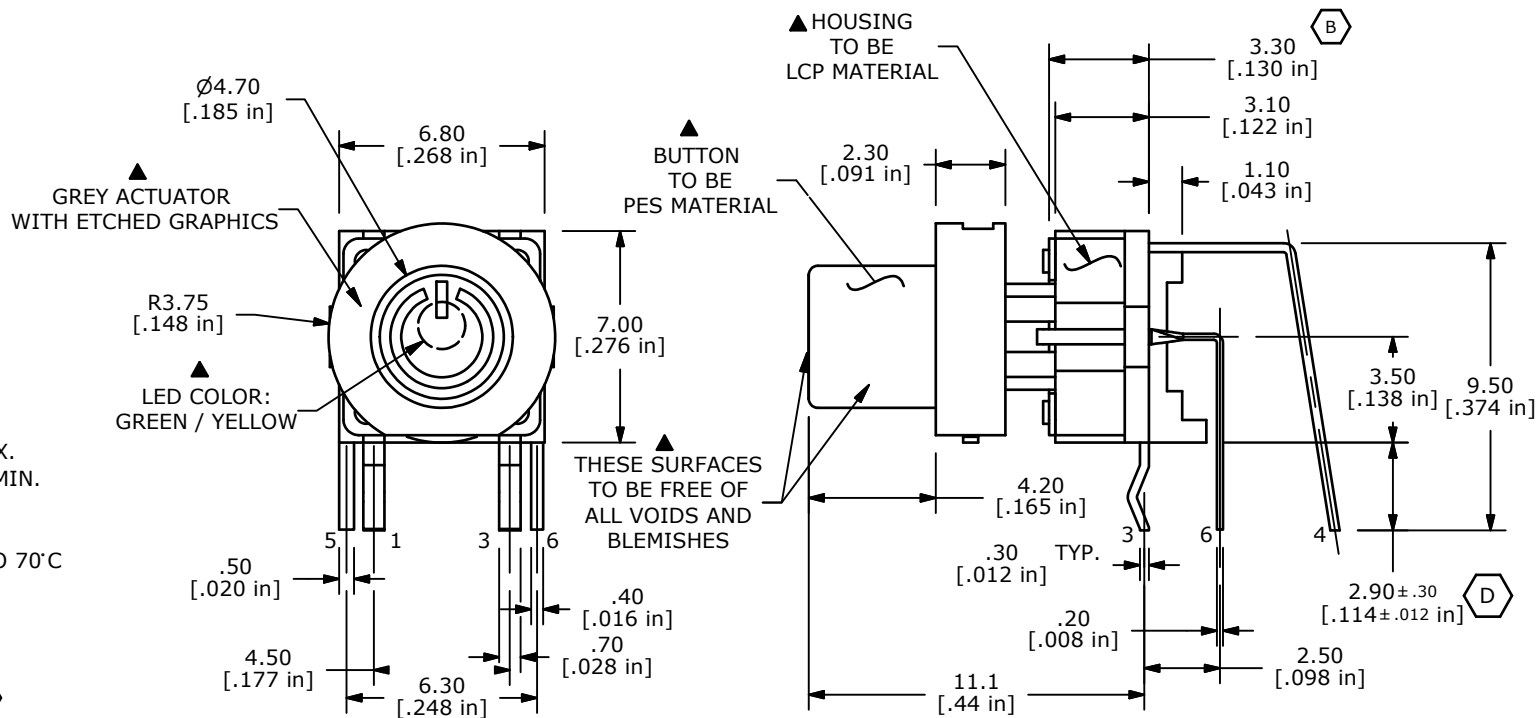
P.C.B. LAYOUT



CIRCUIT: SPST

NOTES:

1. ALL DIMENSIONS IN MM [INCH]
2. GENERAL TOLERANCE: X.X=±0.4
X.XX=±0.25
3. RATING: 12VDC @ 50mA
4. CONTACT RESISTANCE: 100mΩ MAX.
5. INSULATION RESISTANCE: 100MΩ MIN.
- ▲6. OPERATING FORCE: 160±50gf
7. TRAVEL: 0.2±0.1mm
8. OPERATING TEMPERATURE: -20°C TO 70°C
9. OPERATING LIFE 500,000 CYCLES
- ▲10. LED COLOR: GREEN / YELLOW
11. ▲ DENOTED CRITICAL PARAMETER
12. 2002/95/EC (ROHS) COMPLIANT
13. PACKAGE: 100 PIECES PER TRAY E



▲ 'POWER' TRANSLUCENT GRAPHICS

E	21664	CHANGED NOTE 13 FROM 10 TO 100	10/23/14	AS
D	20959	2.90±.30 WAS 3.10±.10	1/9/13	EBP
C	20196	ADD SURFACE NOTE	10/05/11	BGL
B	19969	CHANGE DIM WAS 3.5	5/27/11	BGL
A	19960	RELEASE FOR PRODUCTION	5/20/11	BGL
REV	PCR NO	DESCRIPTION	DATE	BY

THE INFORMATION CONTAINED IN THIS DOCUMENT IS PROPRIETARY TO E-SWITCH AND IS NOT TO BE COPIED OR TRANSFERRED



TITLE TL1260GYQSGRY-PWRVERT

SCALE	DATE	DR	DWG	REV
4:1	5/10/2011	BGL	B200023	E